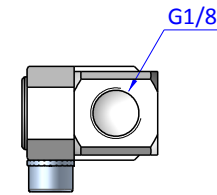
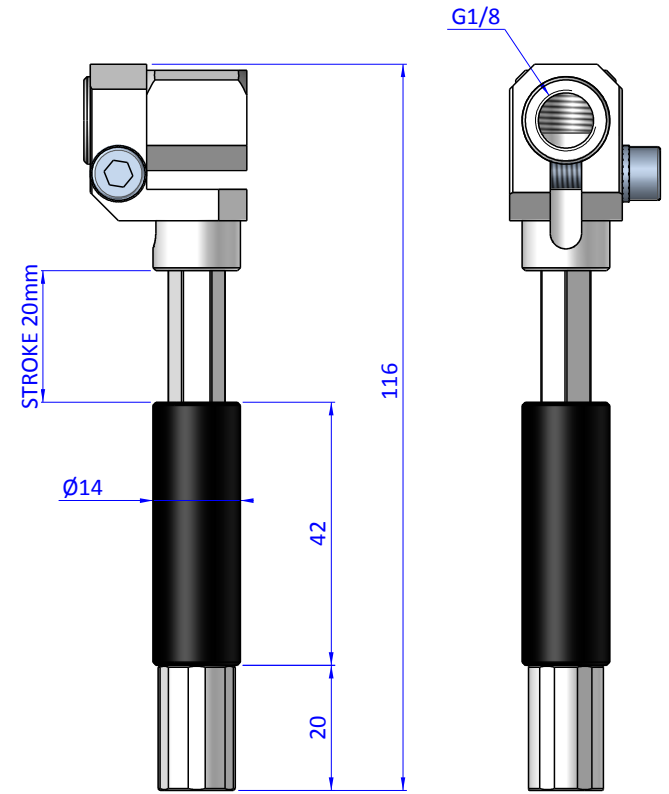
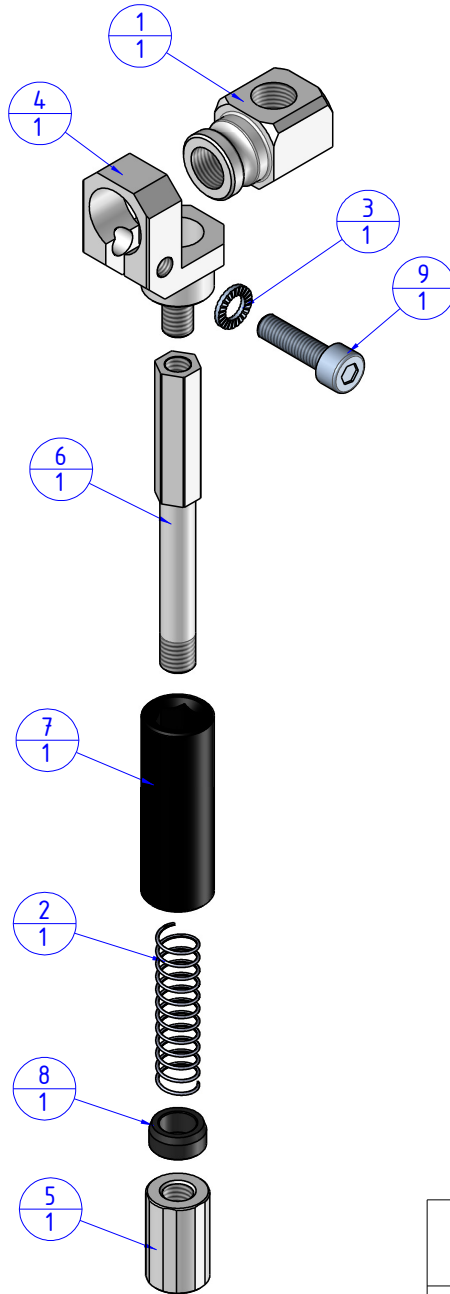


THE PROPERTY OF THE DRAWING IS ESTABLISHED BY LAW. IT IS FORBIDDEN TO PRODUCE OR SHOW IT TO THIRD PARTY, WITHOUT A WRITTEN AGREEMENT.

Object Number	Name	QTY
1	GGB.14.18.18	1
2	M.8.45X34	1
3	R.5.SCH	1
4	SSN.14201818.1	1
5	VSN.14.1	1
6	VSN.1420.4	1
7	VSN.1420.2.1	1
8	VSN.1420.3	1
9	V.TCE5x18	1



Format A3

UNI 936-76

		DESIGNED FROM	REVIEW
		FP SERVICES	A
GENERAL TOLERANCE	DESCRIPTION	DATE	WEIGHT
UNI - ISO 2768	CA.SSN.14201818	07/02/2019	0,045kg
CLASSE f		CODE	CA.SSN.14201818